

COME TO THE SOURCE

POLYCHEM[®]
CORPORATION

GP-44

Automatic Strapping Machine



The GP-44 Automatic Strapping Machine. Designed and developed for most general purpose industrial strapping applications. Adaptable to all popular arch sizes and strap sizes by simple kits. The GP-44 offers the highest quality, reliability, simplicity and safety.

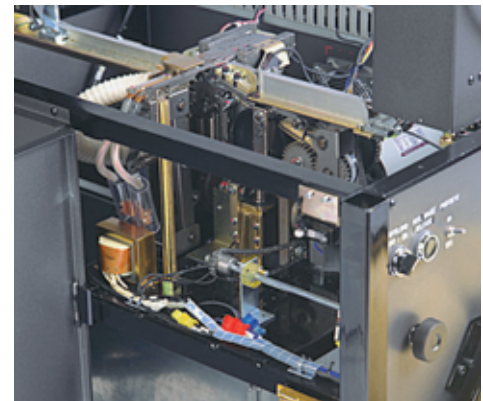
The Best Choice...The Only Choice

GP-44 Automatic Strapping Machine

- Capable of up to 44 straps per minute
- Programmable controlled with limited diagnostics
- Outside reel with automatic, waist-high strap loading
- Electric, no-adjust reel brake
- Movable, magnetic control box to facilitate any operation position
- Safety switches on table tops and front door
- Loop ejector to eject accidentally actuated straps
- Long life heater blade with smoke exhaust system
- Power savings system. Motors run only during strap cycle
- Outside tension adjust knob
- Portable on casters
- Choice of all popular strap widths: 5mm, 6mm, 6.5mm, 7mm, 9mm and 12mm. Available with 8"x 8" or 9"x 8" core
- Easily changed arch assembly using the standard machine body. Simple kits allow width or height expansion of the arch to all popular sizes
- Seven digit, non-reset maintenance counter
- Stainless steel table top with rollers, standard
- Automatic refeed mechanism

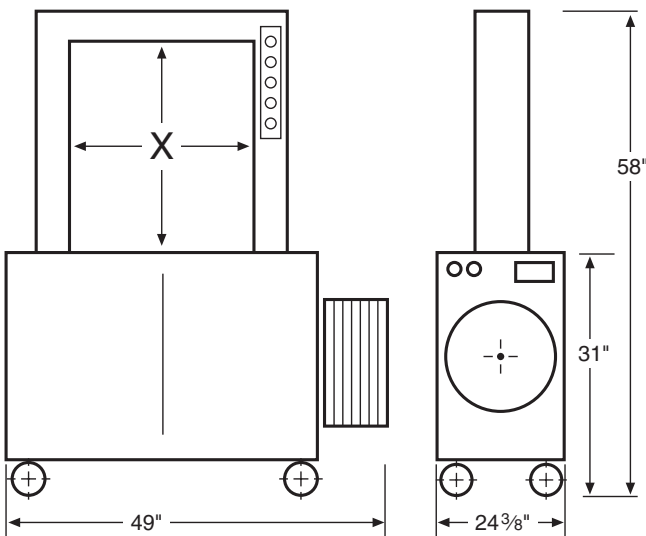


Waist-high, Automatic Strap Loading. Simple Diagnostics.



Simple Seal Engine. Minimal Parts.

SPECIFICATIONS



X=Std. arch 23" x 23", others available

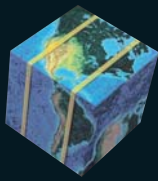
Model: GP-44
Speed: Up to 44 straps per minute
Power: 110 volt single phase, others available
Tension: External, fully adjustable range
Strap Sizes: 5mm to 12mm on 8"x 8" or 9"x 8" core
Arch Sizes: Width 23" to 63"
 Height 23" to 39"
Weight: 462 lbs.
Table Top Height: 31", adjustable height available
Min. Package Size: 4" wide x 2" high Compressible
 6" wide x 2" high Non-Compressible

- Options:**
- Single or Dual Foot Pedals
 - Adjustable Casters Adding up to 4" in Height
 - Soft Press
 - Hard Press
 - Quick Change Reel



6277 HEISLEY ROAD
 MENTOR, OHIO 44060
 (440) 357-1500
 FAX (440) 352-9553
 1-800-548-9557

WEST COAST DISTRIBUTION CENTER
 12332 BELL RANCH DRIVE
 SANTA FE SPRINGS, CA 90670
 (562) 903-4576
 FAX (562) 903-4579
 1-800-899-0822

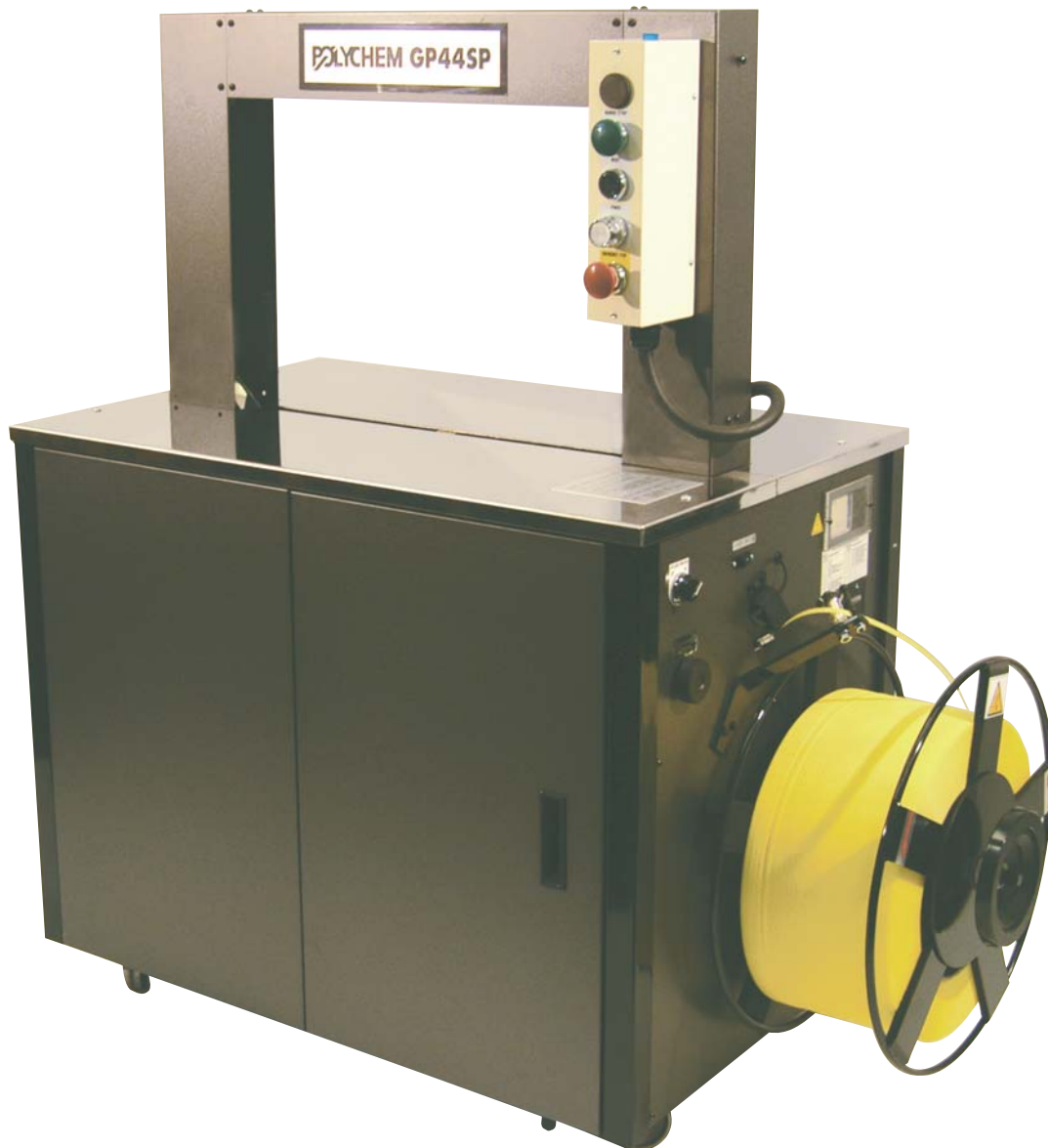


COME TO THE SOURCE



GP-44SP

SMALL PACKAGE
Automatic Strapping Machine



The GP-44SP Small Package Automatic Strapping Machine. Designed specifically for tight strapping of narrow bundles and packages. The GP-44SP offers the highest quality, reliability, simplicity and safety.

The Best Choice...The Only Choice

GP-44SP *Small Package* Automatic Strapping Machine

- Capable of up to 30 straps per minute
- Programmable controlled with limited diagnostics
- Outside reel with automatic, waist-high strap loading
- Electric, no-adjust reel brake
- Movable, magnetic control box to facilitate any operation position
- Safety switches on table tops and front door
- Loop ejector to eject accidentally actuated straps
- Long life heater blade with smoke exhaust system
- Power savings system. Motors run only during strap cycle
- Outside tension adjust knob
- Portable on casters
- Choice of 3/8" or 1/2" strap. Available with 8"x8" or 9"x8" core
- Seven digit, non-reset maintenance counter
- Stainless steel table top
- Automatic re-feed mechanism

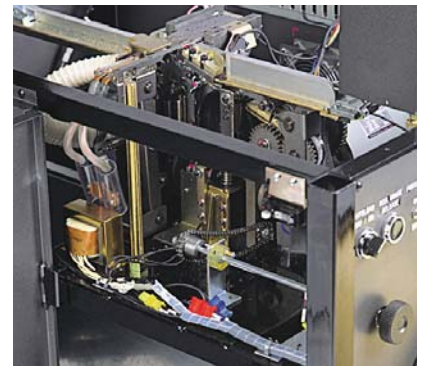


Specially designed to strap narrow packages.

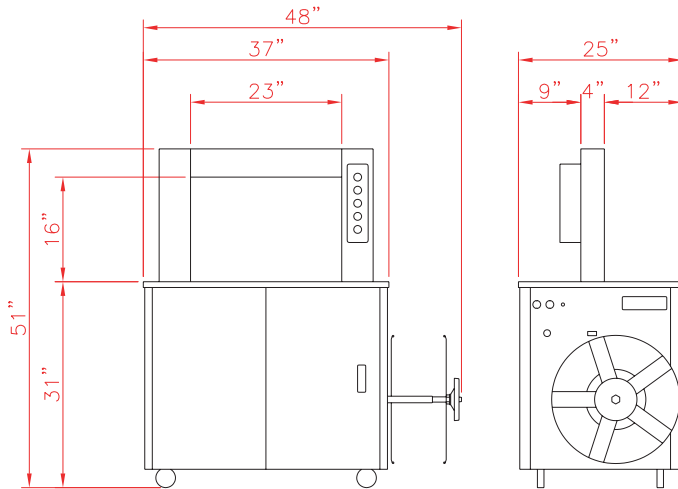


*Waist-high, Automatic Strap Loading
Simple Diagnostics*

Great for wood molding or trim.



Simple Seal Engine. Minimal Parts.



SPECIFICATIONS

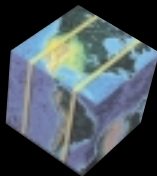
| | |
|---------------------------|---|
| Model: | GP-44SP |
| Speed: | Up to 30 straps per minute |
| Power: | 110 volt single phase, others available |
| Tension: | External, fully adjustable range |
| Strap Sizes: | 3/8" or 1/2" on 8"x8" or 9"x8" core |
| Arch Size: | 23"high x 16"high |
| Weight: | 462 lbs. |
| Table Top Height: | 31", adjustable height available |
| Min. Package Size: | 3"wide x 3"high incompressible |
| Options: | Adjustable Casters Adding 3" to starting Height |

***NOTE:** Strapping cycle time varies with arch size and package size



6277 HEISLEY ROAD
MENTOR, OHIO 44060
(440) 357-1500
FAX (440) 352-9553
1-800-548-9557

WEST COAST DISTRIBUTION CENTER
12332 BELL RANCH DRIVE
SANTA FE SPRINGS, CA 90670
(562) 903-4576
FAX (562) 903-4579
1-800-899-0822



COME TO THE SOURCE



GP-44Zn

*Automatic Strapping Machine
Designed for the Food Packaging Industry*



The cost effective alternative to stainless steel



www.polychem.com

GP-44Zn

Automatic Strapping Machine

Designed and developed for food packaging industry strapping applications. The entire machine frame and covers have been dipped in Zinc Dichromate for corrosion resistance. In addition, critical components such as the feed/retract wheel, high tension arms and accumulator, within the seal engine are constructed with stainless steel or Zinc Dichromate coated steel to prolong the serviceable life of the machine. The bottom of the machine has been enclosed with a zinc-coated plate. The plate provides splash protection from room wash down requirements.



Standard 31" w x 19" h Arch
(Additional arch sizes available)



Magnetic Control Box



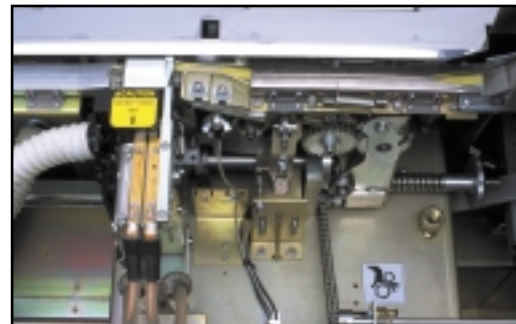
Splash Resistant
Sealed Bottom



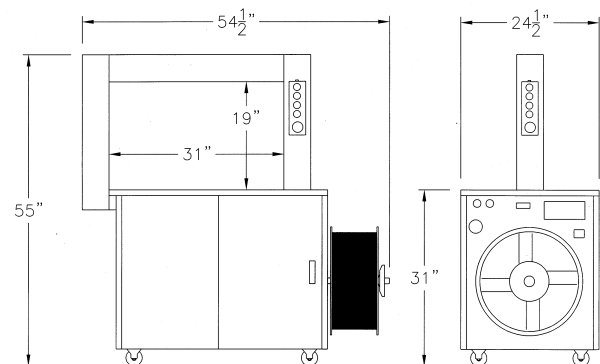
PLC Control with Diagnostics, Waist
High Strap Loading, Maintenance Counter

SPECIFICATIONS

- Capable of 44 straps per minute
- Programmable controlled with diagnostics
- Outside reel with automatic, waist-high strap loading
- Electric, no-adjust reel brake
- Movable, magnetic control box to facilitate any operation position
- Complete safety interlocks on table tops and front door
- Operates on 120VAC Power
- Long life heater blade with smoke exhaust system
- Power savings system. Motors run only during strap cycle
- External, fully adjustable tension knob
- Standard 3/8" polypropylene Strap
- Seven digit, non-resettable maintenance counter
- Stainless Steel Table Top with rollers
- Automatic re-feed mechanism
- 8" x 8" or 9" x 8" core sizes
- Other arch and strap sizes available



All Critical Components are
Plated or Stainless



Parts & Service 1-800-548-9557

6277 HEISLEY ROAD
MENTOR, OHIO 44060
(440) 357-1500
FAX (440) 352-9553
1-800-548-9557

WEST COAST DISTRIBUTION CENTER
12332 BELL RANCH DRIVE
SANTA FE SPRINGS, CA 90670
(562) 903-4576
FAX (562) 903-4579
1-800-899-0822



POLYCHEM[®]
CORPORATION

SV-5000

Automatic Strapping Machine
Servo-Motor Technology
with Automatic Loading

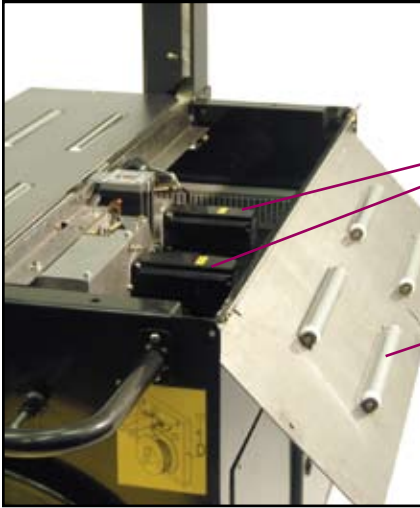


The SV-5000 Automatic Strapping Machine. A state of the art machine, featuring servo-motor technology, auto strap loading, loop ejector, end of strap eject, and many other features.

The Best Choice...The Only Choice

SV-5000 Automatic Strapping Machine

Servo-Motor Technology with Automatic Loading



Servo-Motor Technology

Easy Access Fold Open Roller Tops



Push Button Auto Load



Movable Magnetic Pendant

Features:

- Capable up to 50 Straps/Minute
- PLC Controlled with Diagnostics
- Electronic Reel Brake
- Electronic Tensioning
- Movable Magnetic Pendant
- Loop Ejector
- Long Life Heater Blade
- Power Saving System, Motor Runs Only During Cycle
- Easy Access Strap Path (No Tools)
- Auto Refeed
- Choice of Arch Sizes & Strap Widths
- Clean Design with Few Parts

Specifications:

Minimum Package Size: 4" x 4"
 Maximum Package Size: Within Arch Size
 Maximum Tension: 150 lbs.
 Table Top Height: Standard: 30 Inches
 Optional: 27 Inches
 Electrical Supply: 110 VAC, 15A
 Core Sizes: 8 x 8 or 9 x 8
 Strap Sizes: 5mm, 6mm, 9mm (3/8)
 Polypropylene
 Stock Arch Sizes: See Chart

| Stock Arch Sizes | | Width | | |
|------------------|-----|-------|-----|-----|
| | | 25" | 33" | 41" |
| Height | 15" | | | |
| | 23" | | | |
| | 31" | | | |

Polychem Plastic Strapping • Up to 50% MORE FOOTAGE PER COIL!!
 New Polychem long length coils

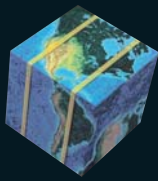
- Save time and money
- Lower cost per foot
- Fewer coil changes
- MAS50XLY Yellow 5mm x 32,000 feet
- MAS60XLY Yellow 6mm x 29,000 feet
- MAS90XLY Yellow 9mm x 18,000 feet

NOTE: All throughput estimations vary with actual arch size, package size, and conveyor speed.



6277 HEISLEY ROAD
 MENTOR, OHIO 44060
 (440) 357-1500
 FAX (440) 352-9553
 1-800-548-9557

WEST COAST DISTRIBUTION CENTER
 11920 ALTAMAR PLACE
 SANTA FE SPRINGS, CA 90670
 (562) 903-4576
 Fax (562) 903-4579
 1-800-899-0822



COME TO THE SOURCE

POLYCHEM[®]
CORPORATION

PC-600AL

**Automatic Strapping Machine
with Push Button Auto-Strap Loading**



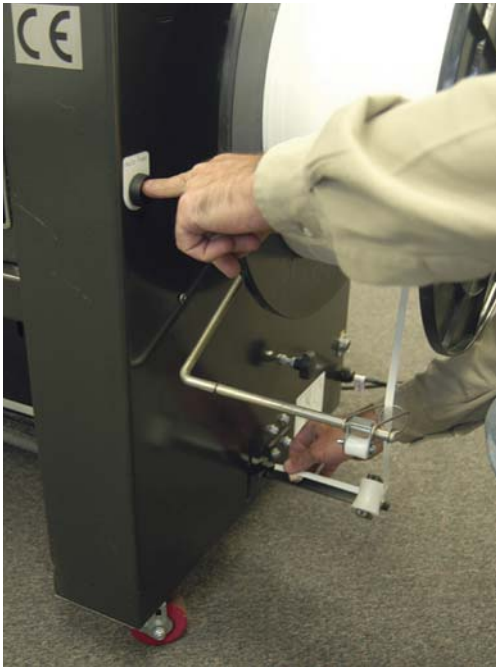
**NEW
Auto Loading
Feature**

The PC-600AL Automatic Strapping Machine. An economy priced machine with many of the same great features as more expensive models such as automatic strap loading and loop ejector.

The Best Choice... The Only Choice

PC-600AL AUTOMATIC STRAPPING MACHINE

An Economical Choice-With Automatic Loading!



Push-button Auto Load feature

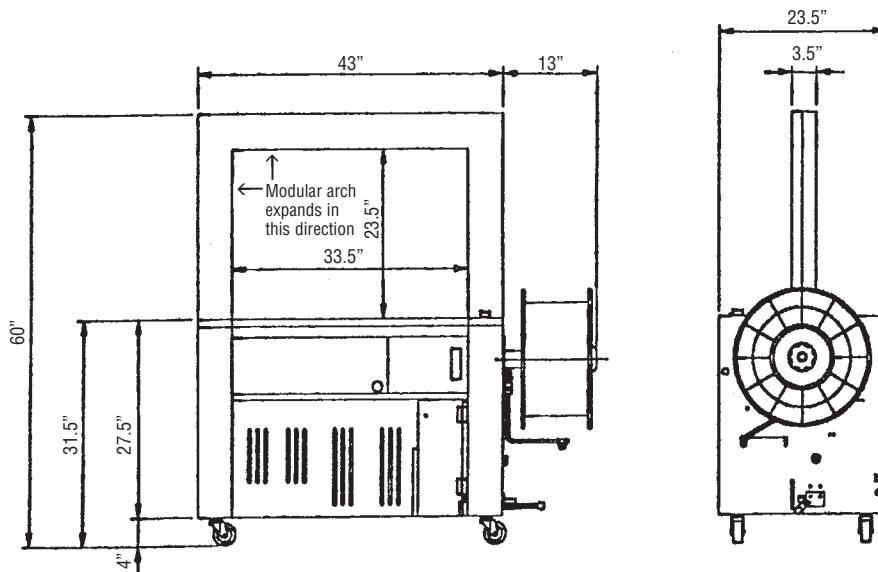
FEATURES

- Lubrication free sealing mechanism
- Cycle Start Standard Options — foot switch, push button or table top ball switch
- Capable of up to 25 straps per minute
- Simple, centralized controls
- Portable on casters
- Available in 3/8" (9mm) & 1/2" (12mm) strap on 8x8 or 9x8 core size
- Table Height = 31 1/2"
- Hinged, easily removable stainless steel table top with rollers, standard
- Automatic re-feed mechanism
- Weld-Cool switch for highly compressible packages or very rigid packages that need high tension
- Automatic strap loading
- Loop ejector to eject accidentally actuated straps

SPECIFICATIONS

Minimum Package Size: 6 inches wide, 2 inches high
 Maximum Package Size: within arch size
 Maximum Tension: 180 lbs.
 Speed: 2.5 seconds/cycle

Electrical Supply: 110 VAC – Standard
 Core Sizes: 8"x8" or 9"x8"
 Strap Sizes: 3/8" & 1/2" P.P.
 (9mm & 12mm)



6277 HEISLEY ROAD
 MENTOR, OHIO 44060
 (440) 357-1500
 FAX (440) 352-9553
 1-800-548-9557

WEST COAST DISTRIBUTION CENTER
 12332 BELL RANCH DRIVE
 SANTA FE SPRINGS, CA 90670
 (562) 903-4576
 FAX (562) 903-4579
 1-800-899-0822